

GTCO CalComp

PERIPHERALS

CHAPARRAL SERIES PEDASTALS

USA Price List
October 2001

<u>Product No.</u>	<u>Price</u>	<u>Description</u>
CHP-MAN	\$699.00	Manual operation digitizer drafting base Weight Capacity 250 lbs. Tilt Angle (degrees) 0-88 Vertical Travel 34-49 inches Electrical Required N/A Shipping Weight 155 lbs
CHP-SEMI	\$1,159.00	Semi-Automatic Pedestal (Electric Height, Manual Tilt) Weight Capacity 250 lbs. Tilt Angle (degrees) 0-88 Vertical Travel 35-49 inches Electrical Required 110 VAC, 60 Hz Shipping Weight 165 lbs
CHP-AUTO	\$1,329.00	Fully-Automatic Pedestal (Electric Height and Tilt) Weight Capacity 250 lbs. Tilt Angle (degrees) 0-88 Vertical Travel 35-49 inches Electrical Required 110 VAC, 60 Hz Shipping Weight 200 lbs

Warranty: Ninety (90) Days, Parts Only

All prices subject to change without notice

GTCO CalComp

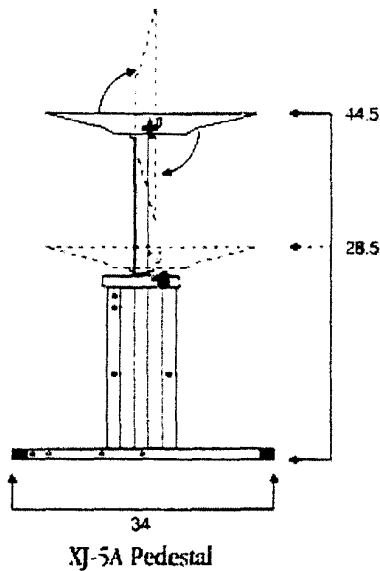
PERIPHERALS

Dakota Series Pedestals/Workstations

Manufactured by Atlantic Marketing

Universal Compatible

Dakota Series Pedestals are compatible with most all major digitizer brands, Most computer monitors and printers are accommodated by Dakota's accessory arms.



DKT-XJ5A
Dakota Pedestal

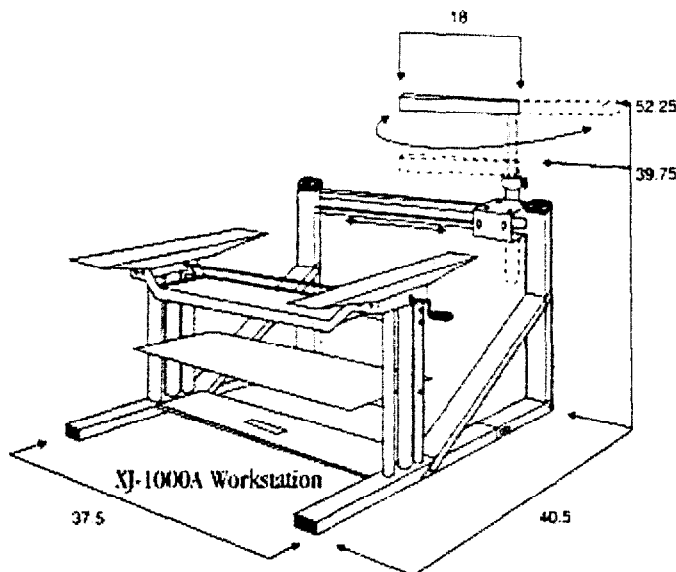
- Smooth turning crank with precision rack & pinion adjusts with gas spring table height from 28.5 to 44.5 inches
- Tilt angles from 0 to near 90 degrees
- Includes Levelers or optional ca

Model	Description	Price
XJ-5A	Digitizer Pedestal Includes Precision Rack & Pinion, Gas Spring, and Floor Levelers. * 4 Caster Set Recommended	\$849.00

GTCO CalComp

PERIPHERALS

DKT-XJ1000A Dakota Workstation



- Includes X5-5A
- Smooth turning crank adjusts desktop and digitizer workstations
- Single monitor arm and keyboard swivels 180 degrees to easily adjust to your needs
- Sliding monitor arm supports 14 to 27 inch monitors
- Adjustable computer shelf
- Small footprint - 10.5sq'

Single Monitor Digitizer Workstation

DKT-XJ1000A Includes Digitizer Pedestal XJ-5A, Monitor Support Assembly, 1 Monitor Arm with Keyboard Tray, and 1 Computer Shelf \$1,499.00

** 6 Caster Set Recommended

GTCO CalComp

P E R I P H E R A L S



DKT-XJ1500A Dakota Workstation

- Includes XJ-1000A
- "Start small, add later" - All workstations are modular
- Includes second monitor arm or printer arm

Double Monitor/Printer, CADD/Digitizer Workstation

Includes Digitizer Pedestal XJ-5A, Monitor Support Assembly,

DKT-XJ1500A

2 Monitor Arms with Keyboard Tray, and 1 Computer Shelf

\$1,799.00

Note: Choice of Printer Arm \$50 additional

** 6 Caster Set Recommended

GTCO CalComp

PERIPHERALS

<u>Model</u>	<u>Description</u>	<u>Price</u>
	Computer Shelf	
DKT-XJ-C1	Supports All Desktop and Horizontal Computers	\$165.00
	Plans Hold-Down	
DKT-PHD	Fits most 36" x 48" Digitizers	\$179.00
	Plans Hold-Down	
DKT-PHD-C	Fits 36"x48" Calcomp Drawing Board III or GTCO 42"x60"	\$179.00
	* 4 Caster Set	
DKT-XJ-LC4	Fits XJ-5A. 2 Locking & 2 Rolling Casters	\$49.00
	** 6 Caster Set	
DKT-XJ-LC6	Fits XJ-1000A and XJ-1500A. 2 Locking & 4 Rolling Casters	\$75.00
	Table Top	
DKT-XJ-TT3648	Top for Pedestal to use with 36" x 48" Roll-Up Digitizer Footprint - 43" x 60"	\$250.00
	Table Top	
DKT-XJ-TT3036	Top for Pedestal to use with 30" x 36" Roll-Up Digitizer Footprint - 43" x 48"	\$240.00

ALL PRICES SUBJECT TO CHANGE WITHOUT NOTICE